

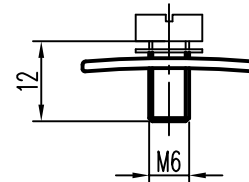
# Data-Sheet-Fixed Capacitor

## CKT1000/5.6/115

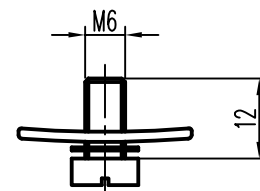
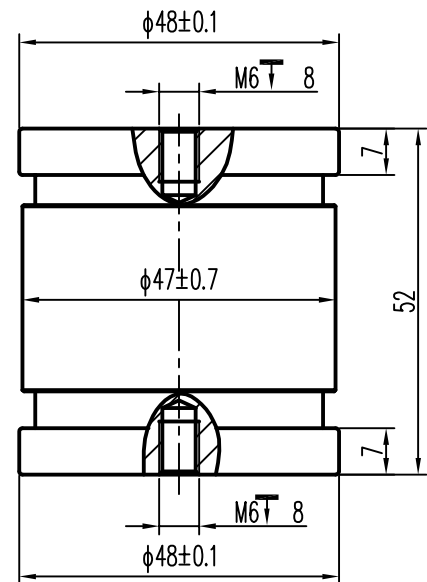
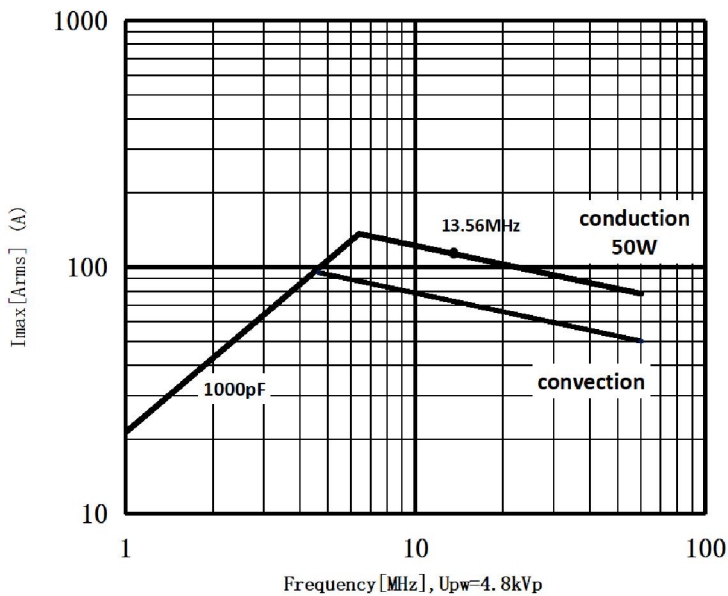


www.glvac.com

Specification	
Capacity $C_{max}$ (nominal)	1000pF
Voltage (Peak Test $U_{pt}$ /Peak Working $U_{pw}$ )	8kVp/4.8kVp
Capacity tolerance	$\pm 5\%$
Max. Current $I_{max}$ at 13.56MHz with	115Arms
Conduction Cooling	50W
Net Weight	0.4kg



$I_{max}$  at 25 °C ambient and 125 °C surface for convection and conduction (50w) cooling



### Special Features

ROHS Compliant

UNLESS OTHERWISE SPECIFIED:

$\leq 30$ :  $\pm 0.5$  30~400:  $\pm 1.2$   $\geq 400$ :  $\pm 2.5$   $\angle$ :  $\pm 1^\circ$

Rev: 00

Page1/1

Issue: 20-Aug.-2021

Address: ST28 Xihu Road, Kunshan, Jiangsu Province, China  
TEL: +86 (512) 36872110

Web: www.glvac.com  
FAX: +86 (512) 36872122

E-mail: e-sales@glvac.cn  
Zip Code: 215333