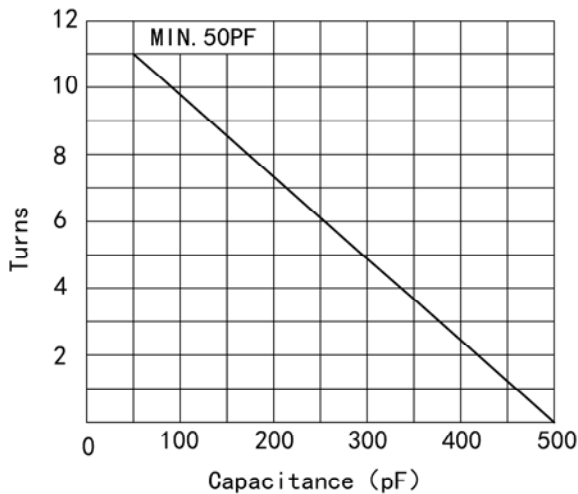
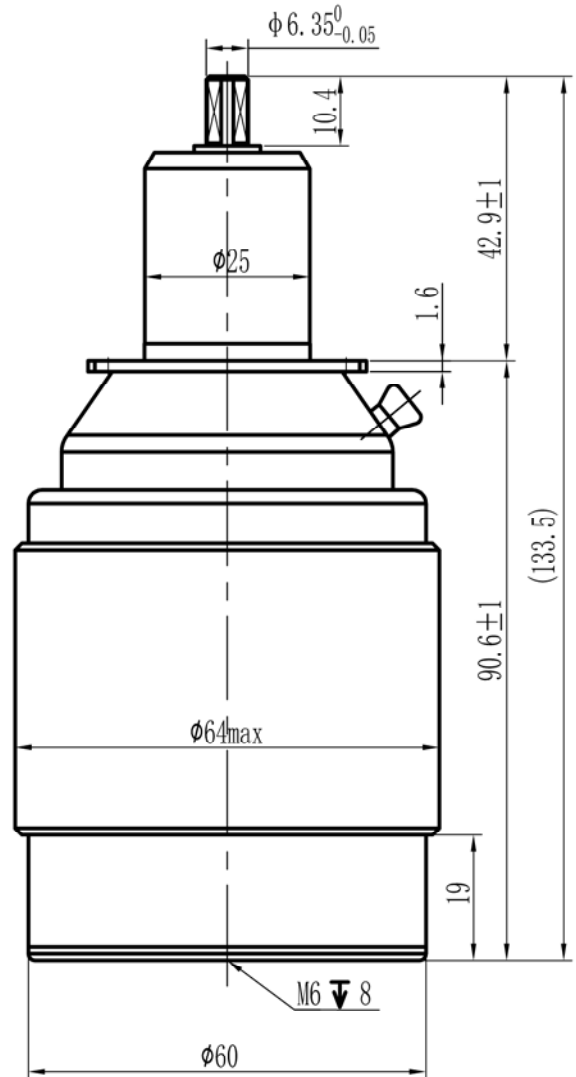


Data-Sheet-Variable Vacuum Capacitor CKTB500/12/94N1

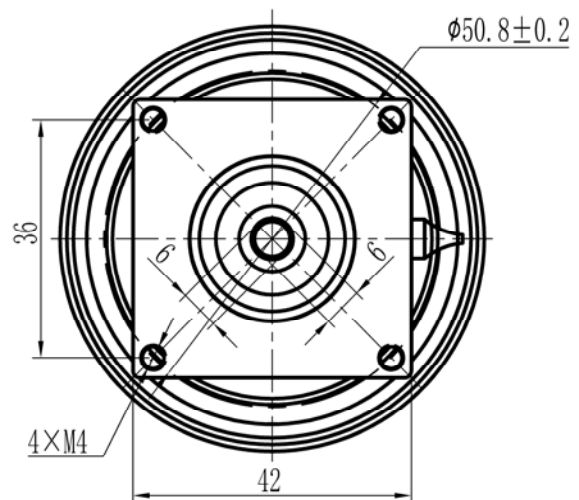
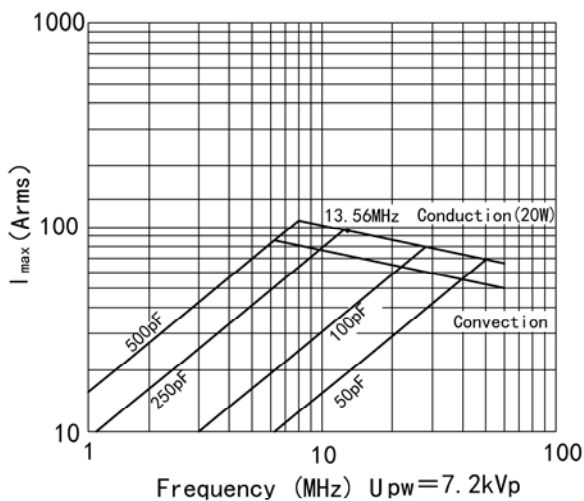


www.glvac.com

| Specifications | |
|--|-------------------------------------|
| Capacity C_{max} (nominal) | 500pF |
| Capacity C_{min} (nominal) | 50pF |
| Voltage (Peak Test U_{pt} /Peak Working U_{pw}) | 12KVp/7.2KVp |
| Capacity Tolerance (Linear Range) | $\pm 10\%$ |
| Max. Current I_{max} at 13.56MHz with conduction cooling | 94Arms |
| | 20W |
| Tuner Turns | 11.5 ± 0.5 |
| Capacitance per turn | 42.1pF/turn |
| Torque | $\leq 0.2 \text{ N} \cdot \text{m}$ |
| Net Weight | 0.7kg |



I_{max} at 25°C ambient and 125 °C surface for convection and conduction (20W) cooling



UNLESS OTHERWISE SPECIFIED:

≤ 30 : ± 0.5 $30 \sim 400$: ± 1.2 ≥ 400 : ± 2.5 \angle : $\pm 1^\circ$

Address: ST28 Xihu Road, Kunshan, Jiangsu Province, China
TEL: +86 (512) 36872110

Rev: 00

Web: www.glvac.com
FAX: +86 (512) 36872122

Page 1/1

Issue: 11-Oct-2022

E-mail: e-sales@glvac.cn
Zip Code: 215333